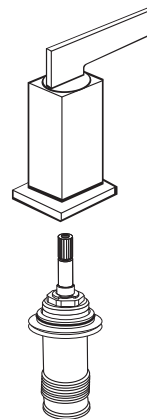
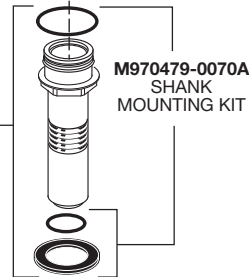
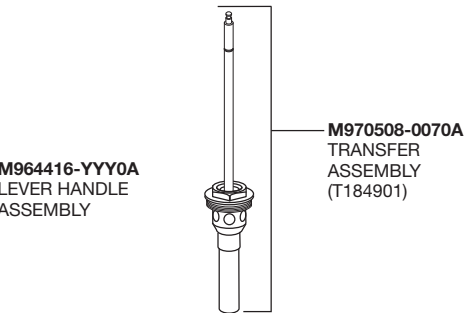
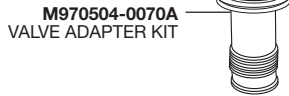
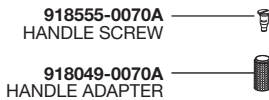
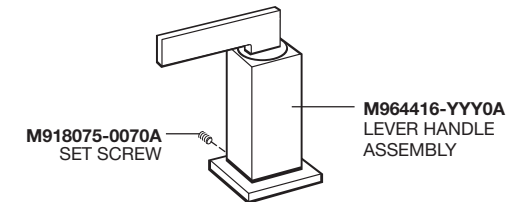
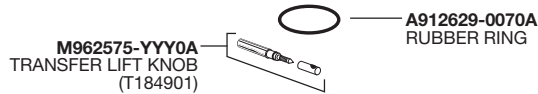
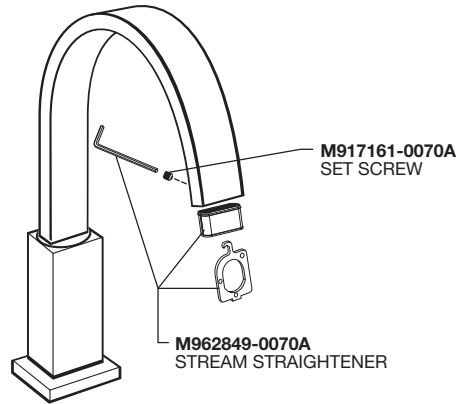


American Standard

Times Square™ Roman Tub Filler

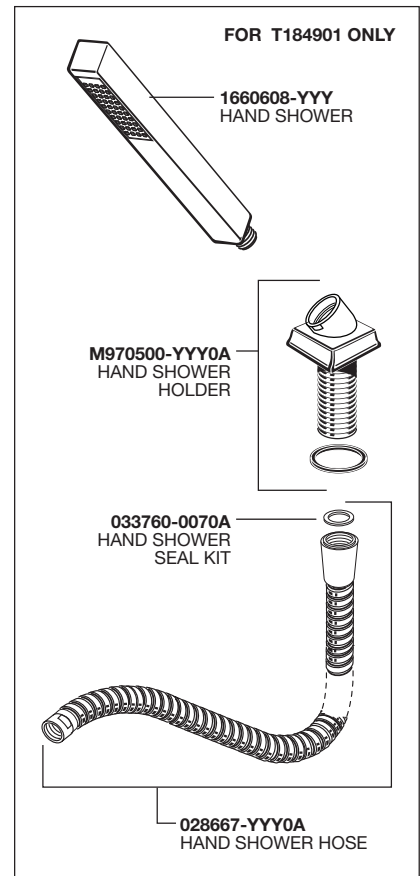
MODEL NUMBER

T184900
T184901



Replace the "YYY" with
appropriate finish code

POLISHED CHROME	002
BRUSHED NICKEL	295



HOT LINE FOR HELP

For toll-free information and answers to your questions, call:
1 (800) 442-1902
Mon. - Fri. 8:00 a.m. to 8:00 p.m. EST
Saturday 10:00 a.m. to 4:00 p.m. EST
IN CANADA 1-800-387-0369
(TORONTO 1-905-306-1093)
Weekdays 8:00 a.m. to 7:00 p.m. EST
IN MEXICO 01-800-839-1200



PART OF LIXIL